

TopPage>>Search Result>>53206U

Thrust Ball Bearings

Bearing No. : **NACHI 53206U**

■ Bearing Type

■ Clearance

■ Tolerance Class

Dimensions

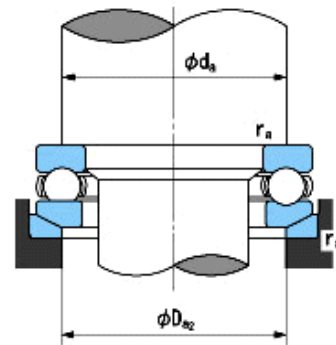
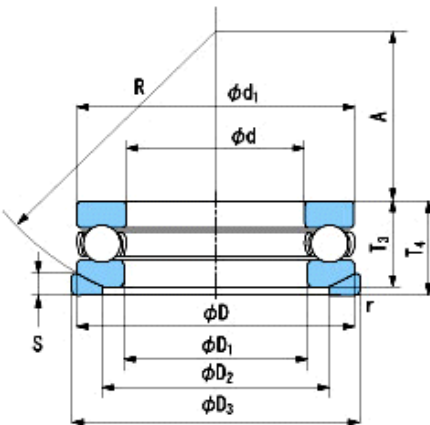
d = 30
0
-0.010

D = 52
0
-0.019

T3 = 17.8
T4 = 20
r = 0.6~1.5
(Radial Direction and Axial Direction)

d1(max) = 52
D1(min) = 32

D2 = 42
D3 = 55
S = 5.5
R = 45
A = 22



Dimensions

da(min) = 43
Da2(max) = 42
ra(max) = 0.6
Mass = 0.195 kg

Basic Dynamic Load Rating Ca : **29,300** N

Basic Static Load Rating Coa : **58,000** N

Limiting Speed ;

Grease Lubrication : **3,400** min⁻¹

Oil Lubrication : **5,200** min⁻¹

O.D.Surface Runout with Side :

Axial Runout with Bore :

Axial Runout with Raceway :

Width Variation :

Radial Runout :

INNER RING

OUTER RING